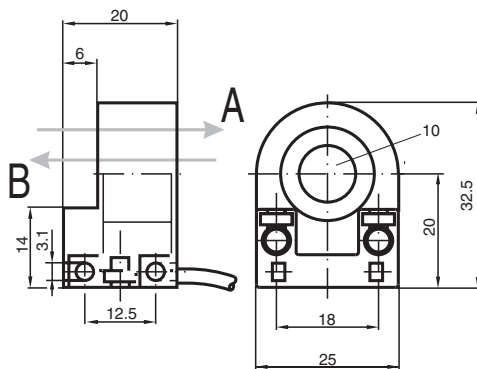


Inductive ring sensor RC10-14-N3-Y95216

- Comfort series
- Bistable
- Direction detection
- 10 mm inside diameter



Dimensions



Technical Data

General specifications

Switching function	Normally closed (NC)
Output type	NAMUR, bistable
Installation	non-flush
Inside diameter	10 mm
Measuring cylinder	
Diameter	1/8" (3.175mm)
Measuring cone	Carboloy/high grade steel
Output type	2-wire

Nominal ratings

Nominal voltage	U _o	8.2 V (R _i approx. 1 kΩ)
Hysteresis	H	typ. 1 %
Reverse polarity protection		reverse polarity protected
Current consumption		
Traverse B		3 mA
Traverse A		1 mA
Time delay before availability	t _v	≤ 5 ms

Compliance with standards and directives

Standard conformity	
---------------------	--

Release date: 2023-01-27 Date of issue: 2023-01-27 Filename: 106545_eng.pdf

Refer to "General Notes Relating to Pepperl+Fuchs Product Information".

Pepperl+Fuchs Group
www.pepperl-fuchs.com

USA: +1 330 486 0001
fa-info@us.pepperl-fuchs.com

Germany: +49 621 776 1111
fa-info@de.pepperl-fuchs.com

Singapore: +65 6779 9091
fa-info@sg.pepperl-fuchs.com

PEPPERL+FUCHS

Technical Data

NAMUR	EN 60947-5-6:2000 IEC 60947-5-6:1999	
Standards	EN 60947-5-2:2007 EN 60947-5-2/A1:2012 IEC 60947-5-2:2007 IEC 60947-5-2 AMD 1:2012	
Approvals and certificates		
ATEX approval		
Equipment protection level Gb	PTB 99 ATEX 2128 X	
UL approval	cULus Listed, General Purpose	
CSA approval	cCSAus Listed, General Purpose	
Ambient conditions		
Ambient temperature	0 ... 40 °C (32 ... 104 °F)	
Mechanical specifications		
Connection type	cable	
Housing material	PBT	
Degree of protection	IP67	
Cable		
Bending radius	> 10 x cable diameter	
Material	PVC	
Core cross section	0.14 mm ²	
Length	L	2 m
General information		
Use in the hazardous area	see instruction manuals	

Connection

